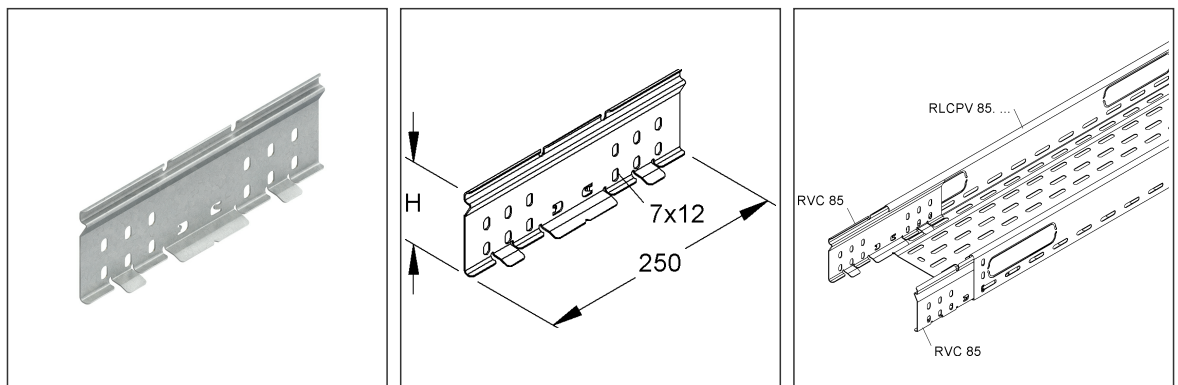
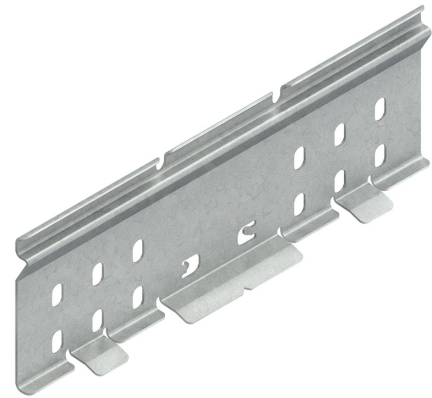


Splice Plate, screwless

RVC 85

EAN Code: 4013339937158
 Smallest packaging unit: 50 pcs.

the photorealistic images are to be considered as reference images



Article Description

Splice plate, screwless, height 85 mm, steel, pre-galvanised according to DIN EN 10346

Additional Price Information

Article group	N13
quantity unit	pcs.

Weight

Weight per quantity unit	236 g / pcs.
Weight in kg per 100	24 kg / 100pcs.

Physical Article Dimensions

Height	84.20 mm
Width	19.00 mm
Depth/length	250 mm

Technical Datasheet

Cable Tray System

RVC 85

the photorealistic images are to be considered as reference images

Packing Dimension

50 pieces = 1 carton		✓ VP1-smallest packaging unit (PU)	✓ VP1-preferred PU		
Lenght	350 mm	Width	250 mm	Height	145.00 mm
Gross weight	12 kg	Volume	0,013 m ³		
Min. quantity	50.00 pcs.	Max. Quantity	50.00 pcs.		
2000 pieces = 1 pallet					
Lenght	1200 mm	Width	800 mm	Height	1000 mm
Gross weight	508 kg	Volume	0,960 m ³		
Min. Quantity	2.000.00 pcs.	Max. Quantity	2.000.00 pcs.		

Tender Text

<p>Splice plate, screwless, electrical and mechanical form-fit at the joint, longitudinally aligned connection of the cable trays with bottom bead, easy installation by clipping into the side beam and bottom contour on both sides. Used for : cable trays RLCPV 85... Requirement : 2 pieces per joint for dimensions (approx. dimensions) Height H x length L : 85 x 250 mm Material : steel, pre-galvanised acc. to DIN EN 10346 NIEDAX Model No. : RVC 85 EP Material _____ EP Wage _____ Unit price/piece</p>

Safety & Environment

REACH Date	05.11.2025
REACH Info	Conformable
RoHS Info	Conformable

Origin & International Trade

Country of origin	DE
Customs tariff number	73089059